

# WAT-233 1/3" True Day&Night Camera

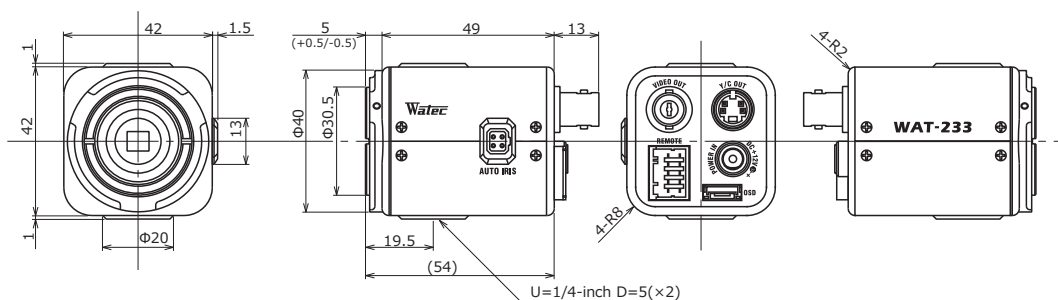
Day/Night and WDR offers the best solution for demanding scene conditions



## Key features

- 1/3-inch high Sensitivity 960H CCD sensor supports 650 TVL
- Wide dynamic range by adopting dual-shutter method
- 3DNR, privacy masking, defog, RS-485 (Pelco-D) compatible
- OSD (On Screen Display) – Easy installation through a controller provided in kit

## Dimensions



## Specifications

Video standard		NTSC	PAL
Pick-up element		1/3 inch 960H interline transfer CCD image sensor	
Number of effective pixels		976(H) × 494(V)	976(H) × 582(V)
Unit cell size		5.0μm(H) × 7.4μm(V)	5.0μm(H) × 6.25μm(V)
Imaging system		Ye, Cy, Mg, and G complementary color mosaic filters on chip	
Synchronizing system		Internal	
Scanning system		2:1 interlace	
Video outputs	BNC	Composite: 1.0V(p-p) 75Ω (Unbalanced)	
	Y/C	Y: 1.0V(p-p), C: 0.3V(p-p) 75Ω	
Resolution (H)		More than 650TVL (Center)	
Minimum illumination	Color	0.01 lx F1.2 (AGC=ON, Shutter=OFF, NR=ON, γ=0.45)	
		0.0006 lx F1.2 (AGC=ON, Shutter=x16, NR=ON, γ=0.45)	
	Monochrome	0.0005 lx F1.2 (AGC=ON, Shutter=OFF, NR=ON, γ=0.45)	
		0.00003 lx F1.2 (AGC=ON, Shutter=x16, NR=ON, γ=0.45)	
S/N		More than 50dB (AGC=2dB, γ=1.0)	
Function settings / Serial port		OSD (On Screen Display) / RS-485 (Pelco-D), Remote controller	
AE mode	Fixed	x2, x4, x8, x16, x32, x64, x128, x256 (field)	
		1/60, 1/100 sec.	1/50, 1/120 sec.
		1/250, 1/500, 1/1000, 1/2000, 1/4000, 1/10000 sec.	
	EI	1/60 - 1/100000 sec.	1/50 - 1/100000 sec.
		x16 - 1/100000 sec.	
White balance		ATW (Color rolling suppression), PWB, MWB, PRESET (4 types)	
AGC		HI: 2 - 44dB / LO: 2 - 32dB	
MGC		2 - 44dB (1dB step)	
Day / Night		Auto (Level selectable) / Manual / External	
Gamma characteristics		9 steps setting (1.0/0.8/0.7/0.6/0.55/0.5/0.45/0.4/0.35)	
Noise reduction		3DNR ON (Level selectable) / OFF	
Wide dynamic range		WDR (Wide Dynamic Range) ON (Level selectable) / OFF	
Motion detection		ON (Area/Sensitivity/Alarm) / OFF	
Lens iris		Video / DC (EIA), Auto-select	
Back light compensation		ON / OFF	
HSBLC (Highlight BLC)		ON / OFF	
White blemish correction		Max 64 dots	
Defog		ON (Level selectable) / OFF	
Digital zoom		x2 - 256 (ZOOM/PAN/TILT)	
Privacy mask		15 masks	
Mirror image		OFF / H-FLIP / V-FLIP / HV-FLIP	
Power supply		DC+12V±10%	
Power consumption		1.62W (135mA)	
Operating temperature		-10 - +50°C	
Storage temperature		-30 - +70°C	
Operating / Storage humidity		95% RH or less (Without condensation)	
Lens mount		CS mount (Back focus adjustable)	
Weight		Approx. 150g	
Accessories		WPDC12 (DC plug), AIC-G (Iris plug), Hex. wrench, I/O cable, RC-01 (Remote controller)	

