

VARIO D-ZOOM



High power LED with remotely adjustable beam angle

VARIO D-Zoom illuminators deliver Raytec's class leading LED technology with the capability to adjust the beam angle remotely to ensure optimal performance at all times.

Available in both Infra-Red and White-Light, VARIO D-Zoom provides a zoomable lighting system that easily integrates with any CCTV, IP or PTZ camera system. The unit has been designed to provide a beam angle that can be smoothly adjusted from 10 to 80 degrees – without any moving parts in order to deliver outstanding reliability.

VARIO D-Zoom beam allows users to precisely match the angle of illumination to the required field of view at all times.

Raytec VARIO lenses incorporate hot-spot reduction technology (HRT) to produce images far better than those possible with normal LED illuminators. The HRT system delivers a highly diffused elliptical beam shape to deliver light directly to where it is most needed, allowing greater illumination distances, reducing light and energy wastage and preventing the overexposure of foreground objects.

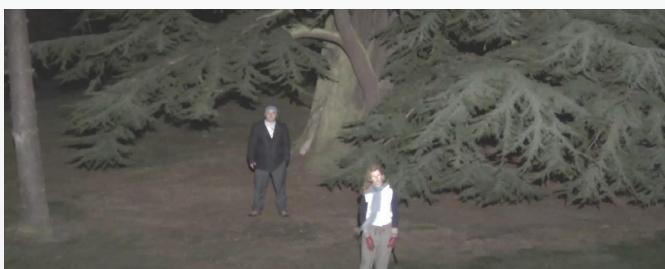
An optional VARIO remote control provides the ability to set-up the illuminator quickly and safely from ground level. The VARIO LED status indicator provides instant operational feedback on status and performance of the illuminator.

VARIO illuminators are supplied complete with bracket and operate directly from a 12-24V input.

At a Glance

- Distances up to 120m(394ft) IR and 90m(295ft) WL
- Zoomable beam angle – with no moving parts
- Angles from 10-80 degrees from one single unit
- Smooth transition between beam angles
- Integrates with your Surveillance System
- VARIO holographic lenses with Hot-spot Reduction Technology
- Optional VARIO remote control
- Available in 850nm or White-Light as standard
- Optional 940nm
- LED status indicator

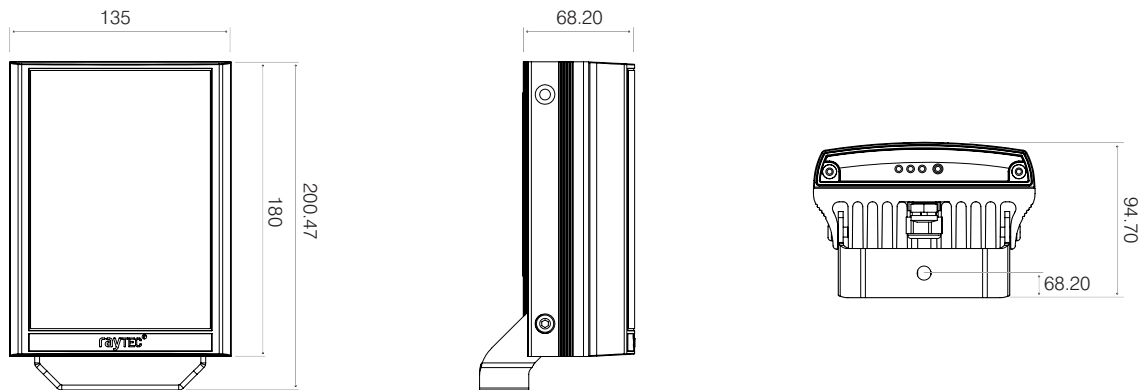
Narrow Angle White-Light



Wide Angle Infra-Red



Product Dimensions



Features

Benefits

Zoomable Lighting	Angle of illumination can be easily, quickly and precisely adjusted remotely via a volt-free input.
No moving parts	Ensures the highest levels of reliability and performance at all times.
10° to 80° Illumination	A wide variety of angles can be selected to exactly match operational requirements.
VARIO Remote Control (optional)	Allows set up quickly and safely from ground level and provides access to advanced set up features. Reduces both cost and time of installation.
LED Status Indicator	Quick operational feedback on status and performance of the illuminator. Allows simple and quick commissioning and easy maintenance reviews.
Hot-spot Reduction Technology (HRT)	HRT delivers a highly diffused, elliptical beam shape to help cameras achieve superior images at night and generate longer illumination distances, whilst reducing light and energy wastage and preventing the overexposure of foreground objects.

5 YEAR WARRANTY

All Raytec luminaires are provided with an industry leading 5 year warranty and have an expected useful life in excess of 10 years



Technical Specifications

Illuminator

	VAR-DZ-i8	VAR-DZ-w8
Max Distance	120m (394ft)	90m (295ft) at 10°
Angle	10° to 80° - smooth transition	
Consumption	48W max	
Input Voltage	12-24V AC or DC	
Weight	1.65kg (3.6lbs)	
Environmental	IP66	
Temp Range	-50 to +50°C (-58 to 122°F)	
Cable Length	2.5m	
Cable Specification	RED/BLACK – Power WHITE/YELLOW – Photocell following contact output ORANGE/PURPLE – Telemetry Input BLUE/GREEN – Zoom Control	
Colour	Black	Silver
Wavelength	850nm	White-Light (5,700k)
Colour Rendition Index (CRI)	n/a	74-80
Dimensions	135 x 180 x 68.2mm 5 x 7 x 3.2" approx	
Certification	CE	
Bracketry	U Bracket Included	

Integrated Command and Control Technology

Integrated Standard Features	<ul style="list-style-type: none"> In-built photocell for automatic on/off operation LED status indicator provides status on performance of the unit Photocell following output
Integrated Advanced Features (accessed via VARIO remote control)	<ul style="list-style-type: none"> Power adjust from 20-100% Photocell sensitivity adjust Timer function (up to 30 mins) Telemetry control Remote Dimming LED status indicator on/off Restore factory default settings

Product Codes

Part Codes

Part Codes		Distances
VAR-DZ-i8-1	Infra-Red, 850nm, VARIO D-Zoom i8 – angles 10° to 80°	120m (394ft) at 10° 30m (98ft) at 80°
VAR-DZ-i8-1-C	Infra-Red, 940nm, VARIO D-Zoom i8-C – angles 10° to 80°	Camera and lens dependant
VAR-DZ-w8-1	White-Light, VARIO D-Zoom w8 – angles 10° to 80°	90m (295ft) at 10° 20m (66ft) at 80°

Available in double panel variants with Raytec's patented Adaptive Illumination™ system.

Adaptive Illumination™ provides more flexibility, more power, and even greater distances and allows quick easy adjustment of the horizontal beam pattern. **Contact Raytec.**