



RJ1SNUD and RJ856UD Series

SINGLE-POSITION SENSORNET
AND RS-422 J-BOX



RJ1SNUD

RJ856UD

FEATURES

- SensorNet or RS-422 versions available in either 120 VAC or 230 VAC input
- Meets Class 2 power requirements
- NEMA 4/IP66 environmental protection rating
- Indoor or outdoor
- Quick-release lockable cover latches
- Can be conduit connected (standard 1/2-inch NPT knockouts with fitting supplied)
- Supports SpeedDome® Ultra/Optima programmable domes and outdoor housings
- Wiring diagram, installation guide, and test procedures on inside cover of J-Box enclosure
- Diagnostic LEDs
- Surge protection

These weather-tight, single-position J-Boxes provide Class 2 LPS power and data communications for one programmable dome or one dome and outdoor dome housing. Each J-Box contains a single input—either SensorNet or RS-422—that receives data from the compatible controller and feeds that data to the dome.

The J-Boxes meet the Class 2 power requirements of the SpeedDome Ultra/Optima outdoor housings and are IP66/NEMA 4 rated for protection against moisture, dust, ice, wind, and insects.

The hinged front cover can be secured with captive screws and contains two quick-release cover latches that can be locked for further security. The inside of the enclosure's cover contains a wiring diagram, quick installation instructions and test procedures specific to that J-Box.

The units contain an on/off power switch as well as diagnostic LEDs for host, aux, dome activity, noise, and power. Surge protection circuitry within the J-Box arrests unexpected voltage surges on exterior power and data lines to protect interior equipment. The J-Boxes can be surface-mounted to concrete, wood, or sheet rock with supplied hardware. They can also be mounted to a ceiling or to a pole with user-supplied hardware.

SPECIFICATIONS

Model Numbers

RJ1SNUD	SensorNet, 120 V
RJ1SNUD-1	SensorNet, 230 V
RJ856UD	RS-422, 120 V
RJ856UD-1	RS-422, 230 V

Transformer primary jumpers and main line cord are field changeable to support either 120 VAC or 230 VAC.

Electrical

Input Voltage	100 to 120 VAC or 200 to 240 VAC, 50/60 Hz
Input Current	1.0 A / 0.5 A
Max Operational Limits	90 to 135 VAC or 180 to 265 VAC, 50/60 Hz
Output	26 VAC, 2.4 A max, Class 2 LPS
Power Line	TVS rated at 10 kA, 8/20 µsec impulse rated gas tube

Operational

Diagnostic LEDs	
SensorNet	Host, aux, dome activity, noise, power
RS-422	Push-button controlled data in/data out
Power	On/off power switch

Wiring diagram, installation guide, test procedures all included on inside cover of J-Box.

Mechanical

Environment	Indoor/Outdoor
Wall Mounting Options	Concrete, wood, sheet rock
Dimensions (H x W x D)	200 x 200 x 132 mm (7.87 x 7.87 x 5.19 in)
Unit Weight	3.7 kg (8.25 lbs)
Shipping Weight	5 kg (11.0 lbs)
Construction	Polycarbonate, nonmetallic enclosure
Color	Light gray
Cover Locks	Two quick-release lockable cover latches
Cable Access	Three 1/2-inch NPT strain relief fittings provided for power, host and dome cables

RS-422 Serial Communication Interface

Cable Distance	
J-Box to J-Box	1 km (3000 ft)
Host to J-Box	1 km (3000 ft)
J-Box to Dome	Limited by the length of the low-voltage AC power cable
Maximum Loads	10 daisy chained
Cable Type	Two shielded twisted pair (STP), 22 AWG, polarized
Surge Protection	10 kA 8/20 µsec impulse rated gas tube, TVS rated at 1,500 W
Connectors	
Host	Spring-loaded
Aux	Spring-loaded
Dome	Eurostyle terminal

SensorNet Serial Communication Interface

Cable Distance	
J-Box to J-Box	1 km (3000 ft)
Host to J-Box	1 km (3000 ft)
J-Box to Dome	Limited by the length of the low-voltage AC power cable
Maximum Loads	32/node
Cable Type	Single unshielded twisted pair (UTP), 22 AWG, non-polarized
Surge Protection	Isolation transformer coupled, 2000 Vrms, 10 kA, 8/20 µsec impulse rated gas tube, TVS rated at 1 watt
Host, Aux and Dome Connectors	Eurostyle plug

Environmental

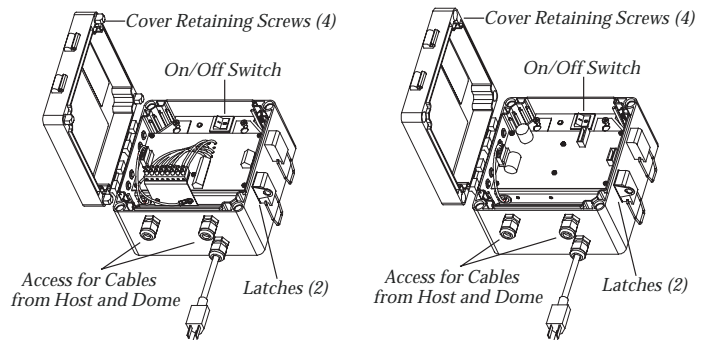
Weatherproof Standard	NEMA 4/IP66
Operating Temperature	-40° to 50° C (-40° to 122° F)
Storage Temperature	-10° to 50° C (14° to 122° F)
Relative Humidity	0 to 95% RH (non-condensing)

Regulatory

Emissions	FCC: 47 CFR, Part 15, Subpart B Class A CE: EN55022, Class B CE: EN6100-3-2 CE: EN6100-3-3 AS/NZS 3548, Class A CISPR22 ICES-003
Immunity	CE: EN50130-4
Safety	cUL: CSA 22.2, No. 950 CE: EN60950 IEC950

Compatibilities

SpeedDome Optima Series Dome
SpeedDome Ultra Outdoor Housing



**RS-422 Outdoor
Single Position J-Box**

**SensorNet Outdoor
Single Position J-Box**