



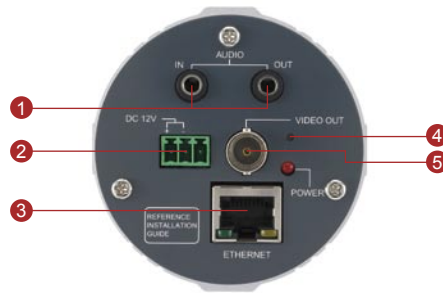
ACM-1311 Series

MPEG-4 Indoor IP IR Bullet Camera



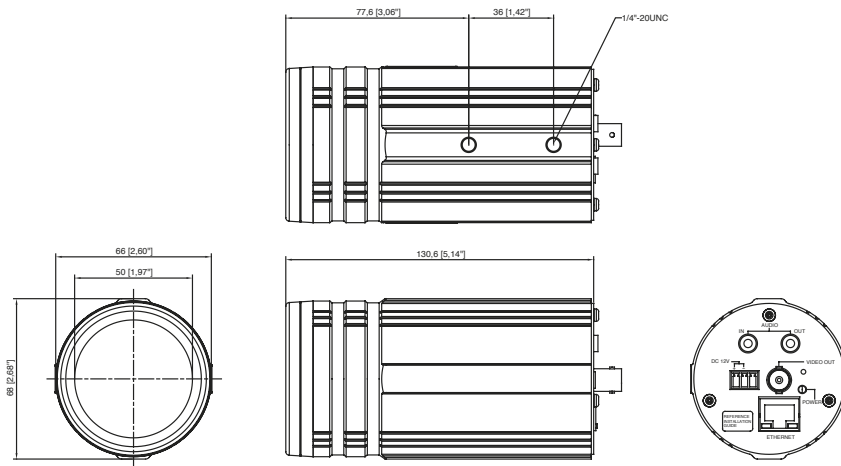
* The bracket is not included.

- 1/3" Sony SuperHAD CCD
- Build in 4.3 mm fixed lens
- Aluminum enclosure
- Build in IR LED and CDS sensor
- Auto Backlight Compensation and Auto Gain Control supported
- MPEG-4 SP compression
- CIF up to Full D1 resolution at 30/25 FPS
- Two-way audio supported
- Power over Ethernet (IEEE 802.3af) supported

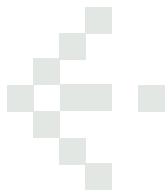


- | | |
|------------------------|--------------------------|
| ① Audio input / output | ④ Reset button |
| ② DC 12 V power input | ⑤ Composite video output |
| ③ Ethernet port | |

DIMENSION DIAGRAM



Unit: mm [inch]



ACM-1311 Series

PRODUCT SPECIFICATION

Image		Video Output	
Device	SONY SuperHAD CCD	Composite Output	CVBS, 1.0Vp-p with 75 Ω loading, BNC connector
Size	1/3 inch	Audio Input	
Effective Pixels	537 x 505 (NTSC); 537 x 597 (PAL)	Compression	8kHz, Mono, PCM
Horizontal Resolution	420 TVL	Audio Line Input	Unbalanced, 1.4Vp-p, 1Vrms, 3.5 mm Jack
Min. Scene Illumination		Audio Output	
Color	0Lux (w/ IR) IR LED ON at 4Lux / Controlled by a CDS sensor	Compression	8kHz, Mono, PCM
IR Sensitivity	from 700 nm to 1100 nm	Audio Line Output	Unbalanced, 1.4Vp-p, 1Vrms, 3.5 mm Jack
IR LED	IR LED x24 (850 nm)	External I/O	
CDS Sensor	Yes	Reset Button	Factory default
IR Working Distance	10 ~ 15 M (30 IRE)	LED	System status
Lens		Network	
Focal Length	f 4.3 mm / F 2.0	Ethernet	Ethernet (10/100 Base-T), RJ-45 connector
Viewing Angle	63° (Horizontal)	Protocol	TCP, UDP, IP, HTTP, DHCP, PPPoE, RTP, RTSP
Synchronization		Software	
Sync. System	Internal	Web Browser	Microsoft Internet Explorer 6.0 or above
Day/Night Functions		SDK	ActiveX control, C SDK
Mechanical IR Cut Filter	N/A	Security	Password Protection: configured by the administrator
Functions		Operating	
Motion Detection	Yes (3 windows)	Temperature	0 °C ~ 40 °C (0 °F ~ 104 °F)
Electronic Shutter	1/60 ~ 1/100,000 sec. (NTSC) 1/50 ~ 1/100,000 sec. (PAL)	Power	
BLC	Automatic	Power Requirement	PoE (IEEE802.3af) with Class 3 (ACM-1311)
AGC	Automatic	Power Consumption	6.2 W (DC 12 V) w/ IR ON 7.4 W (PoE) w/ IR ON
S/N Ratio		Physical	
S/N Ratio	Better than 48 dB	Dimensions (ØxH)	66 mm x 130.6 mm (2.6" x 5.14")
Video Compression		Weight	460 g (1.01 lb)
Compression	MPEG-4 SP		
Picture Resolution	Full D1 (720x480 in NTSC, 720x576 in PAL) VGA (640x480 in NTSC, 640x480 in PAL) CIF (352x240 in NTSC, 352x288 in PAL) QCIF (176x120 in NTSC, 176x144 in PAL)		
Bit Rate	28 K ~ 3 M bps		
Image Frame Rate	30 fps at full D1 resolution (NTSC) 25 fps at full D1 resolution (PAL)		

ORDERING INFORMATION

Model Name	NTSC	PAL	DC 12 V / PoE
ACM-1311N	V		V
ACM-1311P		V	V

ACCESSORY OPTIONS

- Camera bracket 69-GL220E-R0