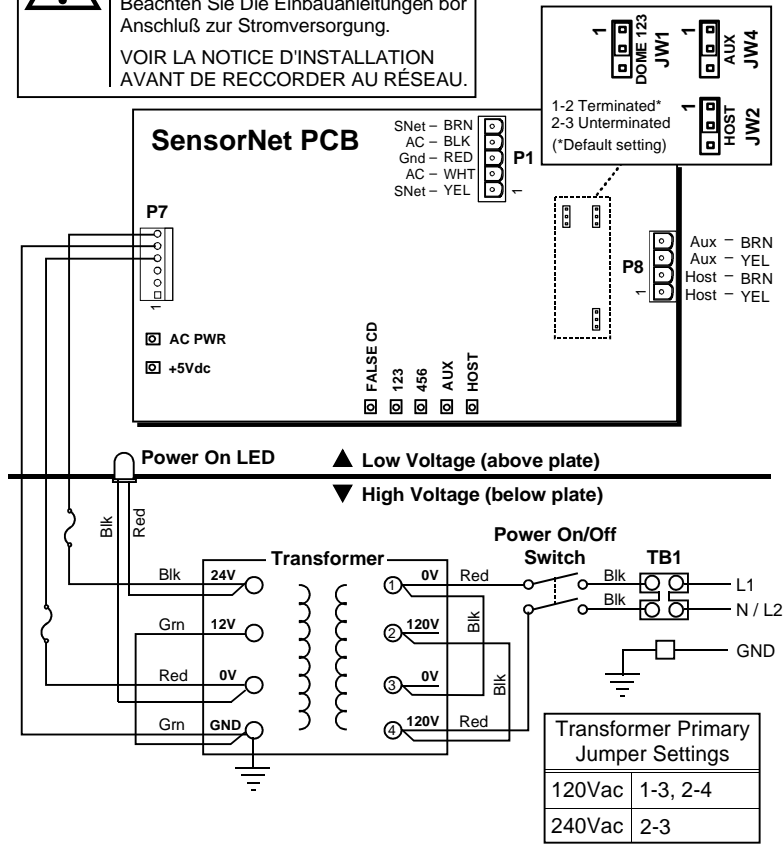


See Installation Instructions Before Connecting to the Supply.
 Beachten Sie Die Einbauanleitungen vor Anschluß zur Stromversorgung.
 VOIR LA NOTICE D'INSTALLATION AVANT DE RECCORDER AU RÉSEAU.



LED Indicators

LED	Indication
AC PWR	Glows yellow to indicate 24 volt AC power from transformer.
+5Vdc	Glows green to indicate DC power from on-board regulator.
False CD	Glows red for 1/2 sec. to indicate spurious false carrier detects.*
Carrier Detect 123	Glows yellow for 30ms to indicate communications from port 1 to dome.* (Carrier Detect 456 is not used.)
Carrier Detect Aux.	Glows yellow for 30ms to indicate communications from auxiliary port.*
Carrier Detect Host	Glows yellow for 30ms to indicate communications from host.*

Caution: To reduce the risk of fire, replace fuses only with the same type and rating (3.15A type IEC127, sheet III). The part number of the fuse is 5111-0017-21.

* Retriggerable indicators remain on if triggered faster than the remaining time.